

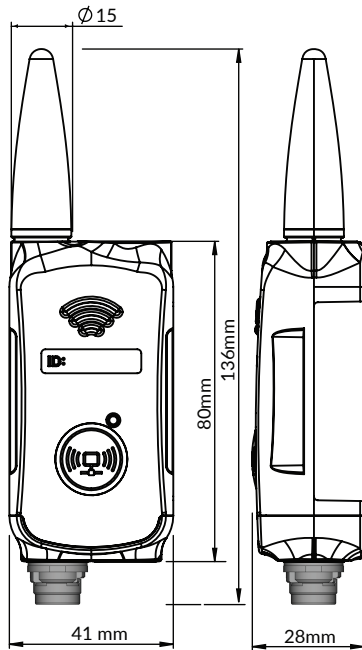
P2-WS102-0433

Single Input Wireless Transmitter



For use with the D3 family of wireless base stations
Compatible with a range of P3-DS Intelligent Digital Sensors (supplied separately)

Product Drawing:



Designed to work with tek troniks D3 wireless base stations and is compatible with a full range of tek troniks Intelligent sensors.

Long range secure communication protocols using licence free 433Mhz radio frequency.

Bi directional wireless communications with the base station allows for communication status reporting.

Can be used in environments where wash down is required.

The screw top battery compartment allows for users to easily replace the transmitter battery.

Technical Specifications:

Transmission Frequency:	1 minute	Battery Life:	>5 years in normal operation
RF Frequency:	433Mhz	Battery Type:	3.6V lithium
RF Range:	1km open space (250m typical)	Mounting:	Integral magnetic strip or optional mounting bracket
	Extenders available to boost range		
Status LED:	Provides communication status		
Weight:	73g		
IP Rating:	IP67		
Connector:	1 x 3 pin female Hirose		
Operating Temperature:	-20°C to 55°C		

Compatible P3-DS Intelligent Digital Sensors

Part No.	Description
P3-DS300-HR	External NTC 5K Stub Probe, (-20°C to +40°C)
P3-DS301-HR	External NTC 5K Probe, 1.5M FEP Cable (-50°C to +70°C)
P3-DS302-HR	External NTC 5K Probe, 4M FEP Cable (-50°C to +70°C)
P3-DS320-HR	External NTC 5K Probe, 1.5M Arctic Cable (-50°C to +70°C)
P3-DS321-HR	External NTC 5K Probe, 4M Arctic Cable (-50°C to +70°C)
P3-DS303-HR	External PT100 High Accuracy Temperature Probe (-30°C to 70°C)
P3-DS304-HR	External PT100 Ribbon Temperature Probe (-20°C to 100°C)
P3-DS305-HR	External PT100 Ribbon Surface Temperature Probe (-20°C to 100°C)
P3-DS306-HR	External PT1000 Standard Temperature Probe 1.5m FEP Cable (-45°C to 100°C)
P3-DS307-HR	External PT1000 Standard Temperature Probe 4m FEP Cable (-45°C to 100°C)
P3-DS322-HR	External PT1000 Standard Temperature Probe 1.5m Arctic Cable (-45°C to 100°C)
P3-DS323-HR	External PT1000 Standard Temperature Probe 4m Arctic Cable (-45°C to 100°C)
P3-DS308-HR	External PT1000 Extended Range Temperature Probe (-100°C to +200°C)
P3-DS309-HR	External PT1000 Temperature Probe, 1500mm Flexible Sensor Housing (-200°C to 200°C)
P3-DS310-HR	External PT1000 Temperature Probe, 370mm Stiff Sensor Housing (-200°C to 200°C)

Part No.	Description
P3-DS311-HR	Humidity Sensor (5%RH to 100%RH)
P3-DS312-HR	0-25mA Signal Input Sensor
P3-DS313-HR	0-200mV Signal Input Sensor
P3-DS314-HR	0-2V Signal Input Sensor
P3-DS315-HR	0-5V Signal Input Sensor
P3-DS316-HR	0-10V Signal Input Sensor
P3-DS317-HR	0-10K Ω Signal Input Sensor
P3-DS318-HR	Pulse Counting Sensor (Without Meter)
P3-DS319-HR	Digital Input Sensor (Volt Free)

Compatible Accessories

Part No.	Description
P7-SA1001	Wireless Transmitter Fixing Bracket
P7-SA1002	Wireless Transmitter Replacement Battery (Li 3.6V)
P7-SA1010	Intelligent Sensor Extension Cable - 4 meter

Doc: 106-10054-01 (DataSheet Intelligent Sensor Range)

Visit: www.tek-troniks.com Call: 0115 9890090

Product Disclaimer:

The recommendations and suggestions regarding product application and use that are offered on Tek-troniks.com, in our product brochures, datasheets, or information provided by any employee or distributor, are a guide in the use of this product and are not a guarantee to their performance. Tektroniks reserve the right to alter specification of their products without prior warning or notification. Always read instruction manuals fully before installing any Tektroniks component.