

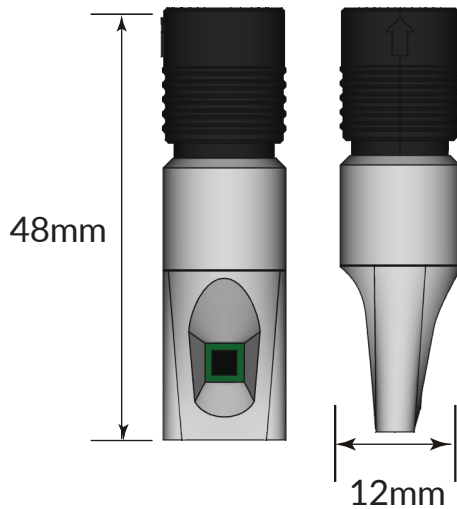
P3-DS300-HR

NTC Air Sensor Stub Mount -20°C to +45°C



For use with the D3 family of wireless base stations
Compatible with a full range of Intelligent Wireless Transmitters (supplied separately)

Product Drawing:



Designed to connect directly into the base of a wireless transmitter for measuring air temperature over the range of -20°C to +45°C.

The probe utilises a NTC thermistor which offers excellent stability and low drift over the lifetime of the sensor.

Common uses:
Fridges | Cold Rooms | Production Areas

This product can be supplied with a calibration certificate.

Technical Specifications:

Temperature Range:	-20°C to 45°C	Connector IP Rating:	IP67
Accuracy:	Standard - $\pm 0.5^\circ\text{C}$ over range Calibrated - $\pm 0.2^\circ\text{C}$ over range	Connector:	3 pin male Hirose
Thermistor:	NTC 5K R/T curve 8016/A01	Operating Temperature:	-20°C to 45°C
Weight:	6g	Electronics Sheathing:	Technomelt OM678
		Electronics IP Rating:	IP67

Compatible P2-WS Wireless Transmitters

Part No.	Description
P2-WS102-0433	Single Input Wireless Transmitter with Hirose Connector (433Mhz)
P2-WS103-0433	Dual Input Wireless Transmitter with Hirose Connectors (433Mhz)
P2-WS102-2400	Single Input Wireless Transmitter with Hirose Connector (2.4Ghz)
P2-WS103-2400	Dual Input Wireless Transmitter with Hirose Connectors (2.4Ghz)

Doc: 106-10054-01 (DataSheet Intelligent Sensor Range)

Visit: www.tek-troniks.com Call: 0115 9890090

Product Disclaimer:

The recommendations and suggestions regarding product application and use that are offered on Tek-troniks.com, in our product brochures, datasheets, or information provided by any employee or distributor, are a guide in the use of this product and are not a guarantee to their performance. Tektroniks reserve the right to alter specification of their products without prior warning or notification. Always read instruction manuals fully before installing any Tektroniks component.