

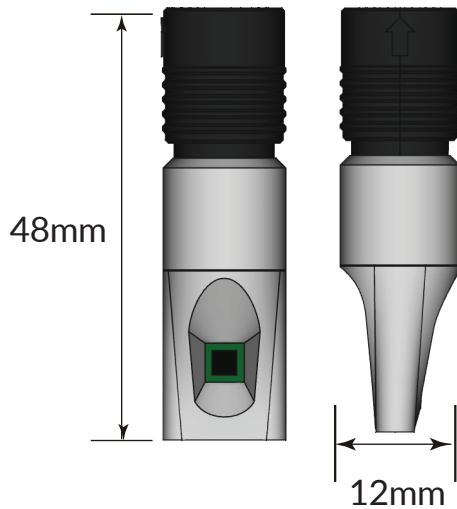
# P3-DS311-HR

## %RH Humidity Sensor - Stub Mount



For use with the D3 family of wireless base stations  
Compatible with a full range of Intelligent Wireless Transmitters (supplied separately)

Product Drawing:



A general purpose humidity sensor which is designed to accurately and reliably measure relative humidity.

It shows best performance when operated over the temperature and humidity range of 20%RH to 80%RH and 5°C to 55°C respectively.

Common uses:  
Museums | Medical Stores | Warehouses |  
Production Areas

This product can be supplied with a calibration certificate.

### Technical Specifications:

Humidity Range: _____	5%RH to 95%RH		<b>On-Board Electronics</b>	
Temperature Range: _____	-20°C to 55°C			
Accuracy @23°C: _____	0 to 25%RH	25 to 75%RH		75 to 95%RH
Standard -	±3.0%RH	±3.0%RH		±4.0%RH
Calibrated -	±1.5%RH	±2.7%RH	±2.9%RH	
Weight: _____	6g		Connector IP Rating: _____ IP67	
			Connector: _____ 3 pin male Hirose	
			Operating Temperature: _____ -20°C to 55°C	
			Electronics Sheathing: _____ Technomelt OM678	
			Electronics IP Rating: _____ RH sensor should not be used in applications greater than 95%RH, nor immersed in liquid	

### Compatible P2-WS Wireless Transmitters

Part No.	Description
P2-WS102-0433	Single Input Wireless Transmitter with Hirose Connector (433Mhz)
P2-WS103-0433	Dual Input Wireless Transmitter with Hirose Connectors (433Mhz)
P2-WS102-2400	Single Input Wireless Transmitter with Hirose Connector (2.4Ghz)
P2-WS103-2400	Dual Input Wireless Transmitter with Hirose Connectors (2.4Ghz)

### Compatible Accessories

Part No.	Description
P7-SA1010	Intelligent Sensor Remote Extension Cable, 4 Meters

Doc: 106-10054-01 (DataSheet Intelligent Sensor Range)

Visit: [www.tek-troniks.com](http://www.tek-troniks.com) Call: 0115 9890090

#### Product Disclaimer:

The recommendations and suggestions regarding product application and use that are offered on Tek-troniks.com, in our product brochures, datasheets, or information provided by any employee or distributor, are a guide in the use of this product and are not a guarantee to their performance. Tektroniks reserve the right to alter specification of their products without prior warning or notification. Always read instruction manuals fully before installing any Tektroniks component.