

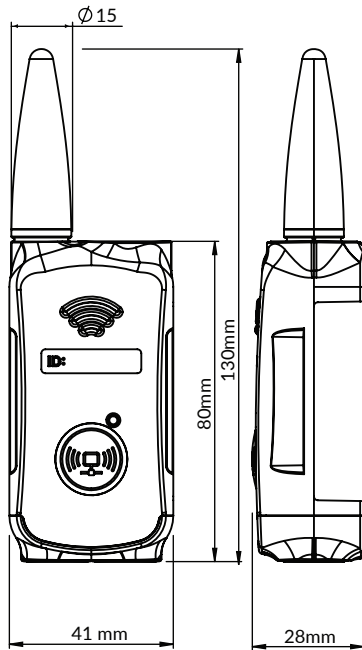
P2-WS104-0433

Wireless Repeater



For use with the D3 family of wireless base stations
Compatible with a range of P2-WS Transmitters (supplied separately)

Product Drawing:



Designed to work with tek troniks D3 wireless base stations and is compatible with a full range of tek troniks wireless transmitters.

Long range secure communication protocols using licence free 433Mhz radio frequency.

Bi directional wireless communications with the base station allows for communication status reporting.

When covering large distances or where obstacles block the signal of wireless transmitters, repeaters can be used to create interconnecting mesh network to aid communications.

Technical Specifications:

RF Frequency: _____ 433Mhz
RF Range: _____ 1km open space (250m typical)
Power: _____ 5V external power supply (provided)
Weight: _____ 73g
IP Rating: _____ IP45
Power Connector: _____ Push fit twist lock
Operating Temperature: _____ -20°C to 55°C

Mounting: _____ Integral magnetic strip
or optional mounting bracket

Product Disclaimer:

The recommendations and suggestions regarding product application and use that are offered on Tek-troniks.com, in our product brochures, datasheets, or information provided by any employee or distributor, are a guide in the use of this product and are not a guarantee to their performance. Tektroniks reserve the right to alter specification of their products without prior warning or notification. Always read instruction manuals fully before installing any Tektroniks component.