

# P3-DS327-HR

## PT1000 Needle Stab Probe 150x6mm

Supplied with 2m 2 core FEP quality cable



For use with the D3 family of wireless base stations  
Compatible with a full range of Intelligent Wireless Transmitters (supplied separately)

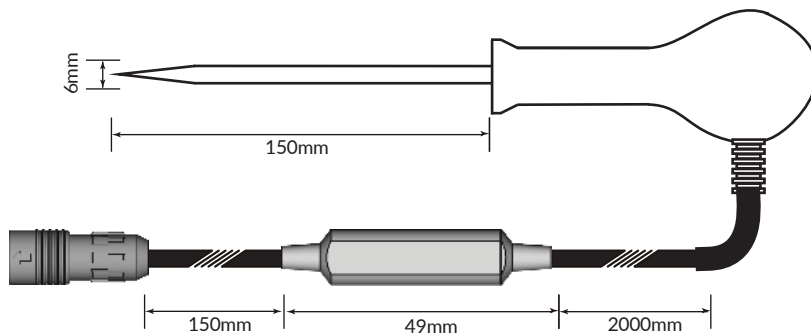
A robust multi-purpose stab temperature probe designed to penetrate to the core temperature of foods/products within a frozen storage environment. The PT1000 offers excellent stability and low drift over the lifetime of the sensor.

The stab probe is of waterproof design for easy wipe down/cleaning for hygiene purposes.

The FEP cable can withstand the full temperature range and can be flexed at low temperatures.

Common uses within: Freezers | Fridges | Cold Rooms | Production Areas

Product Drawing:



Technical Specifications:

Temperature Range: _____ -45°C to 100°C	<b>On Cable Electronics</b>
Accuracy: _____	Connector IP Rating: _____ IP67
Standard - ±0.5°C   -20°C to 70°C   70°C to 100°C	Connector: _____ 3 pin male Hirose
Calibrated - ±0.3°C   ±0.2°C   ±0.3°C	Operating Temperature: _____ -20°C to 55°C
Thermistor: _____ PT1000 Class A	Electronics Sheathing: _____ Technomelt OM678
Weight: _____ 125g	Electronics & Probe IP Rating: _____ IP68
Sensor Cable: _____ 2000mm 2 core FEP cable	
Probe Sheathing: _____ 316L grade stainless steel	



Doc: 106-10123-01 (Datasheet - P3-DS327-HR)

Visit: [www.tek-troniks.com](http://www.tek-troniks.com) Call: 0115 9890090

Product Disclaimer:  
The recommendations and suggestions regarding product application and use that are offered on Tek-troniks.com, in our product brochures, datasheets, or information provided by any employee or distributor, are a guide in the use of this product and are not a guarantee to their performance. Tektroniks reserve the right to alter specification of their products without prior warning or notification. Always read instruction manuals fully before installing any Tektroniks component.